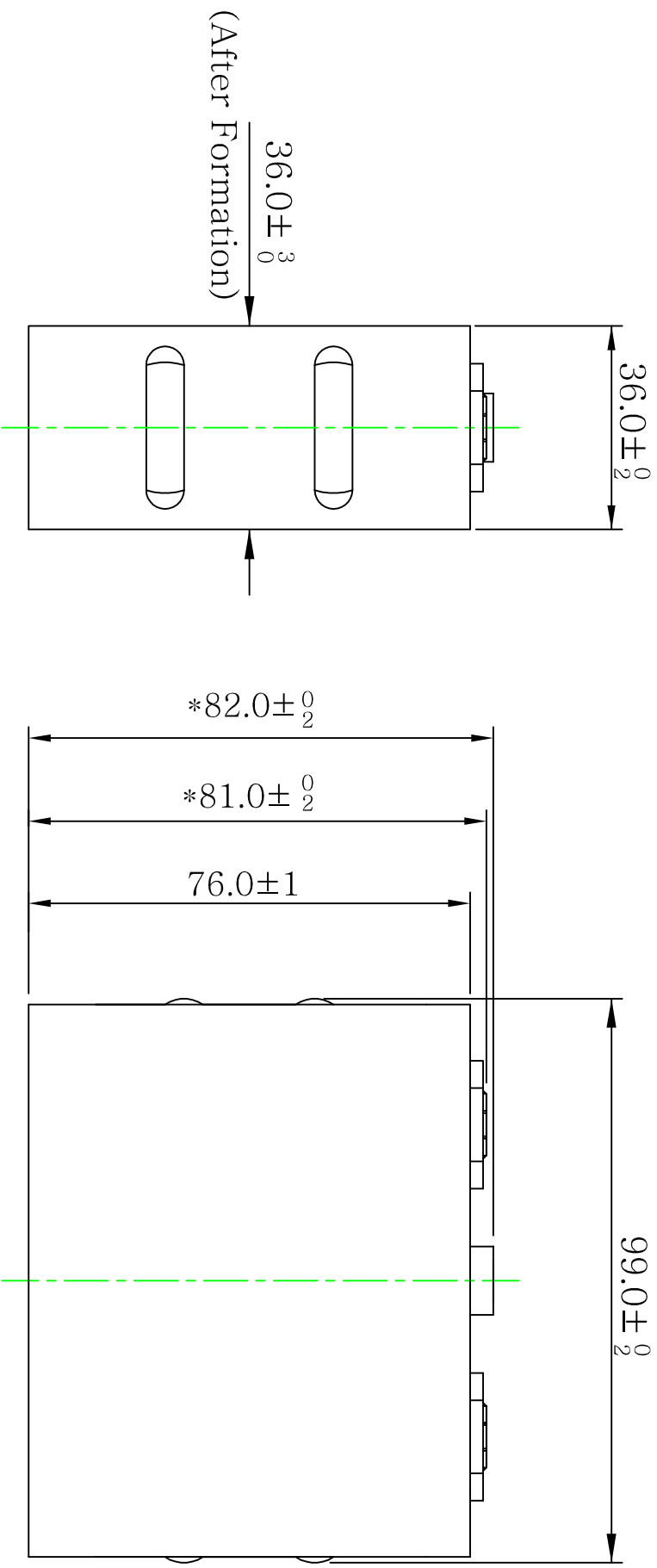


REVISIONS				
LTR	DESCRIPTION	SIGNATURE AND DWN	DATE	AUTH



C:\DWG-5\ENG\EED015\001

NOTICE:  
 1.DO NOT SCALE THE DRAWING  
 2.ALL ANGLE AND CORNER  
 WITH R0.2  
 3.REMOVE ALL SHARP EDGE  
 UNLESS OTHERWISE SPECIFIED

DIMENSIONS ARE IN mm  
 AND INCLUDE PLATED  
 FINISHES  
 \*TOLERANCE REQUEST:  
 1 DEC. PT. ±0.10  
 2 DEC. PT. ±0.05

SIGNATURE		DATE	MODEL NO.: 30EVH	QTY: 1
DRAW	MAN	24-10-11	MATERIAL: /	
CHKD			FINISH: 1	
APPD			PART NO.: GP30EVH	

**EVB Technology (HK) Limited**  
 TITLE: UNIT CELL OF 30EVH  
 DWG NO.: EED015-001  
 REV: 0  
 SCALE: /